

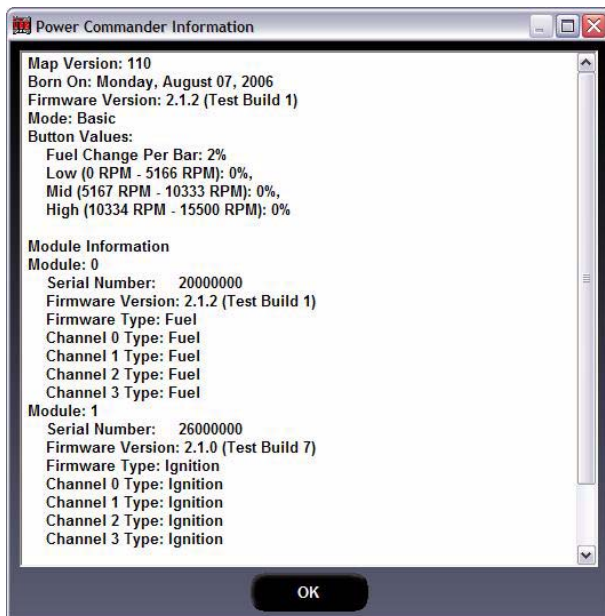
UPDATING THE CONTROL CENTER SOFTWARE

For the Display to operate properly with the Power Commander, the Control Center software version must be 3.1.7 or higher. To verify the software version, open the Control Center software and click **Help ► About Power Commander 3 USB software**. If the Control Center software version is lower than 3.1.7, use the following instructions:

- 1 Insert the CD, included with the Display, in your CD-ROM drive. The launch program will run automatically.
- 2 Click **Power Commander Control Center Software Update**.
- 3 Follow the on-screen instructions.

VERIFYING THE POWER COMMANDER FIRMWARE

For the Display to operate properly with the Power Commander, the firmware version must be 2.1.2 or higher. You will need to verify the current firmware version and may need to update the firmware.



- 1 Open the Control Center software.
- 2 Connect the USB cable from your computer to the Power Commander.
- 3 Supply power to the Power Commander by connecting the 9V adapter with a fresh 9V battery to the expansion port of the Power Commander. You can also supply power to the Power Commander by turning the vehicle on.
- 4 Click **View ► Power Commander Information**.

The Power Commander is always listed as Module 0. The firmware type will be "Harley" for a Harley Davidson or "Fuel" for all other types.

Note: Verify the Ignition Module firmware version, if connected, as you may need to update this firmware as well. The Ignition Module is always listed as Module 1 and the firmware type will be "Ignition". Refer to "Updating the Ignition Module Firmware" on page 14.

UPDATING THE POWER COMMANDER FIRMWARE—FUEL 1.0.0.20/HARLEY 2.1.1 OR LATER

- 1 Open the Control Center software.
- 2 Connect the USB cable from your computer to the Power Commander.
- 3 Connect the 9V adapter to the expansion port of the Power Commander.
- 4 Connect a fresh 9V battery to the adapter.
- 5 Click **Power Commander Tools ► Update Firmware**. The Open dialog box will appear.
- 6 Click the drop down arrow and select your CD-ROM drive.
- 7 Double-click the **fscommand** folder.
- 8 Double-click the **PCIII** folder.
- 9 Double-click the **fscommand** folder.
- 10 Click the **firmware.dfu** file.
- 11 Click **Open**. Wait for the progress bar to finish. When the progress bar reads Programmed Successfully, your firmware is updated. If you get "Error Programming Module", disconnect the 9V adapter and reconnect to the Power Commander. This will retry loading the firmware.
- 12 Click **OK**.

Note: For Harley Davidson, double-click the **HarleyPC** folder.

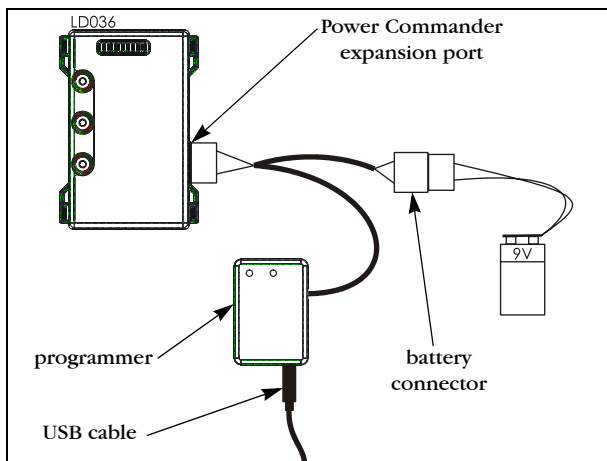


UPDATING THE POWER COMMANDER FIRMWARE—EARLIER THAN FUEL 1.0.0.20/HARLEY 2.1.1

You must have a programmer (P/N PCPROG) to complete the following steps. This programmer is included in some Ignition Modules or the HDREV kit. If you do not have a programmer, the programmer can be purchased and will allow you to update your PCIII USB and Ignition Module. If you do not want to purchase a programmer and cannot find a Tuning Center to update your PCIII USB, the Power Commander can be sent to Dynojet to be updated. Please call 800-992-4993 for instructions.



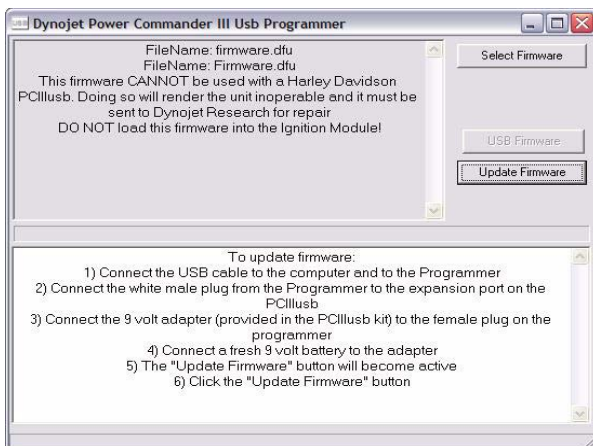
- 1 Insert the CD in your CD-ROM drive. The launch program will run automatically.
- 2 Click **Power Commander Firmware Update**.
If you have a Harley Davidson, click **Power Commander for Harley Davidson Firmware Update**.



- 3 Connect the USB cable to the computer and to the programmer.
- 4 Connect the white male plug from the programmer to the expansion port on the Power Commander.
- 5 Connect the 9 volt adapter to the female plug on the programmer.
- 6 Connect a fresh 9 volt battery to the adapter.

If everything is hooked up correctly, the light on the Power Commander will either not be lit or you will have one light at the top and one at the bottom of the scale. If the Power Commander Lights are not lit, repeat steps 2-7.

The Update Firmware button will now be active.



- 7 Click **Update Firmware**. Wait for the blue scroll bar.
If you get a "Communication Error 8001", repeat steps 4-8.
- 8 Disconnect the USB cable from the programmer and connect it to the USB port on the Power Commander.
- 9 Click **Update Settings**.
- 10 Once the Power Commander is successfully updated, disconnect the programmer.