

ESRM-3

exhaust servo removal module

To install the ESRM-1 first locate your stock servo motor. The servo motor will be in different locations depending on your model.

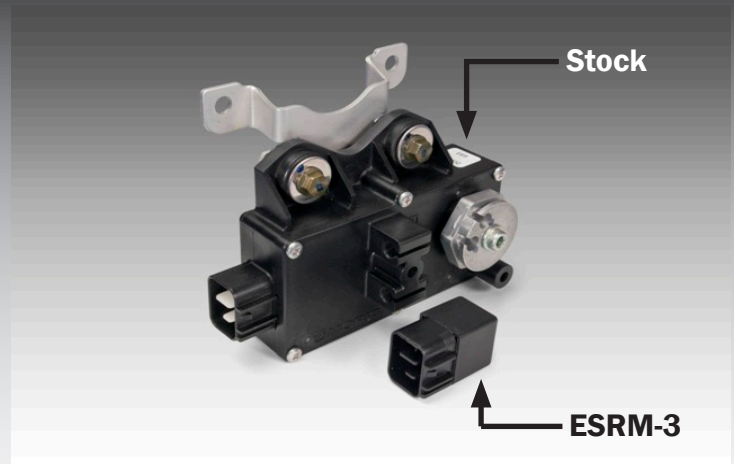
Unplug the stock wiring harness from the servo motor.

Remove the servo motor from the motorcycle.

Plug the Dynojet ESRM-3 into the stock wiring harness.

Dynojet

www.dynojet.com



The ESRM-3 fits the following models:

Yamaha	YZFR1	2004-2006
Yamaha	YZFR6	2017

ESRM-3

exhaust servo removal module

To install the ESRM-3 first locate your stock servo motor. The servo motor will be in different locations depending on your model.

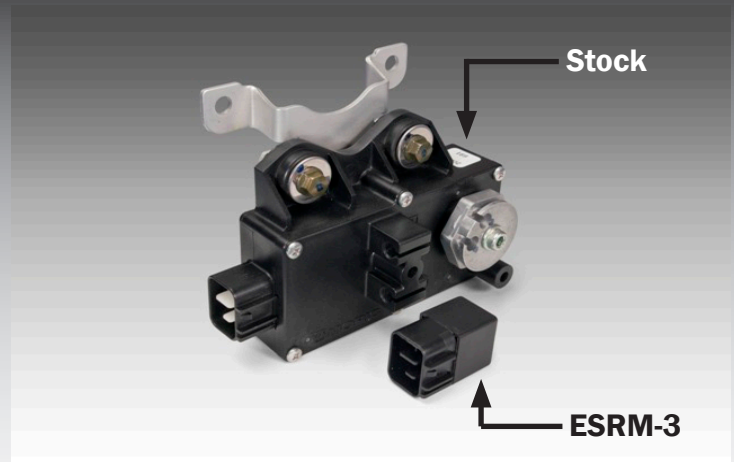
Unplug the stock wiring harness from the servo motor.

Remove the servo motor from the motorcycle.

Plug the Dynojet ESRM-3 into the stock wiring harness.

Dynojet

www.dynojet.com



The ESRM-3 fits the following models:

Yamaha	YZFR1	2004-2006
Yamaha	YZFR6	2017