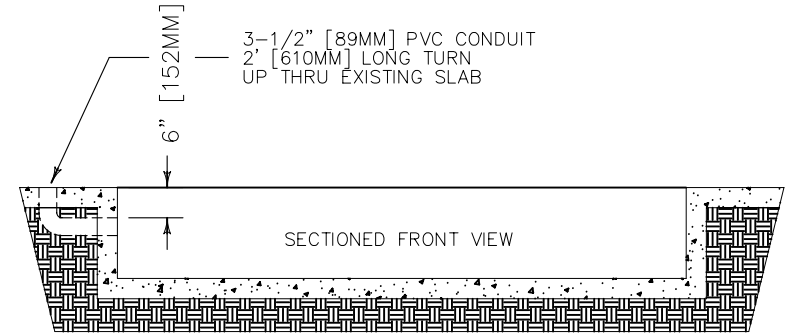
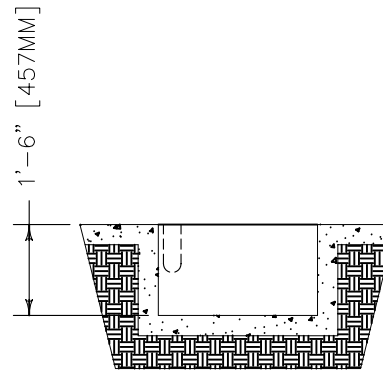
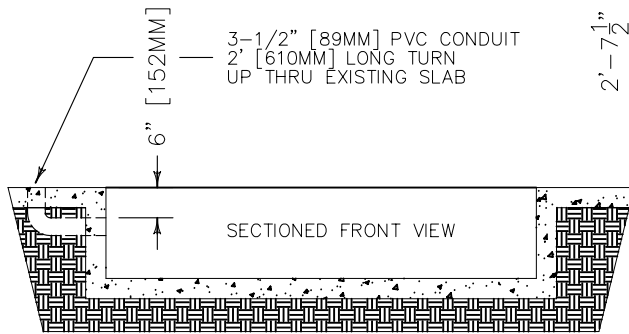
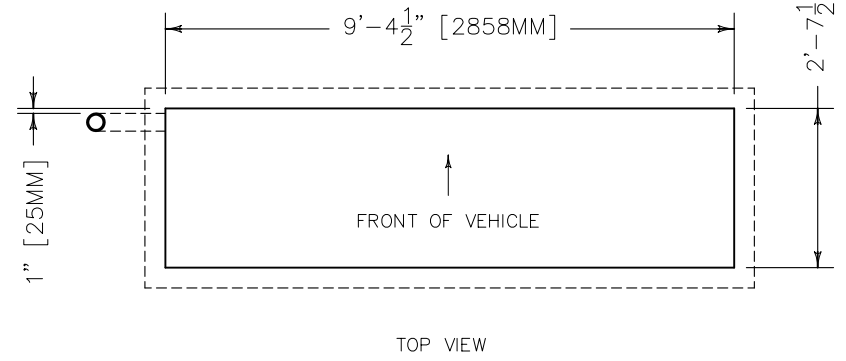
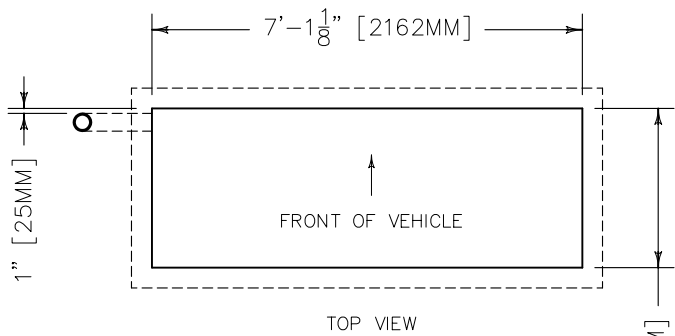


- NOTES, UNLESS OTHERWISE SPECIFIED
1. ALL DIMENSIONS ARE IN DECIMAL INCHES.
 2. REMOVE ALL BURRS & SHARP EDGES.
 3. REMOVE ALL TOOLING MARKS.
 4. DIMENSIONS & TOLERANCES SHALL BE HELD AFTER PLATING OR FINISH.

| REVISIONS | | | | |
|-----------|-----|--------------------------------------|----------|----------|
| ECR# | REV | DESCRIPTION | DATE | APPROVED |
| 1134 | 02 | ADD EXTRA SPACE FOR RETARDER COOLING | 10/29/01 | JFE |
| 2336 | 03 | REMOVE STEP IN PIT | 05/10/05 | JFE |



LEGEND/SAE DYNAMOMETER

SECTIONED END VIEW

LEGEND/SAE DYNAMOMETER W/ EDDY CURRENT BRAKE

- NOTE:
1. ALL DIMENSIONS ARE NOMINAL TO FACE OF MASONRY.
 2. CONSULT A LOCAL CONTACTOR AS TO PIT FLOOR AND WALL CONFIGURATION. PIT MUST SAFELY SUPPORT 3800 POUNDS.

ALL IDEAS, DESIGNS, ARRANGEMENTS AND PLANS INDICATED OR REPRESENTED BY THIS DRAWING ARE OWNED BY DYNOJET RESEARCH INC. AND WERE CREATED, EVOLVED AND DEVELOPED FOR USE ON AND IN CONNECTION WITH THE SPECIFIED PROJECT. NONE SUCH IDEAS, DESIGNS, ARRANGEMENTS OR PLANS SHALL BE USED BY OR DISCLOSED TO ANY PERSON, FIRM, OR CORPORATION FOR ANY PURPOSE WHATSOEVER WITHOUT THE WRITTEN PERMISSION OF DYNOJET RESEARCH, INC.

| | |
|-----------------------------|----------------|
| MATERIAL: | SEE CONTRACTOR |
| FINISH: | N/A |
| UNLESS OTHERWISE SPECIFIED: | TOLERANCES |
| DECIMAL | FRACTIONAL |
| X.XX ± 0.01 | ± 1/8 |
| X.XXX ± 0.005 | ANGULAR |
| | ± 5° |
| DO NOT SCALE THIS DRAWING | |
| CREATED: | JFE 6/7/99 |
| LAST UPDATE: | CTS 05/10/05 |
| DESIGNED: | JFE |
| APPROVED: | JFE |

| | |
|---|-----------------------|
| DYNOJET RESEARCH | |
| 200 ARDEN DRIVE, BELGRADE MT 59714 | |
| PIT DIMENSIONS LEGEND/SAE DYNO | |
| MATERIAL: | SEE CONTRACTOR |
| FINISH: | N/A |
| UNLESS OTHERWISE SPECIFIED: | TOLERANCES |
| DECIMAL | FRACTIONAL |
| X.XX ± 0.01 | ± 1/8 |
| X.XXX ± 0.005 | ANGULAR |
| | ± 5° |
| DO NOT SCALE THIS DRAWING | |
| CREATED: | JFE 6/7/99 |
| LAST UPDATE: | CTS 05/10/05 |
| DESIGNED: | JFE |
| APPROVED: | JFE |
| SIZE | PART NO. |
| B | 98259101 |
| SCALE: 1:25 | RELEASE DATE: 8/12/99 |
| SHEET 1 | OF 1 |
| REV | 03 |