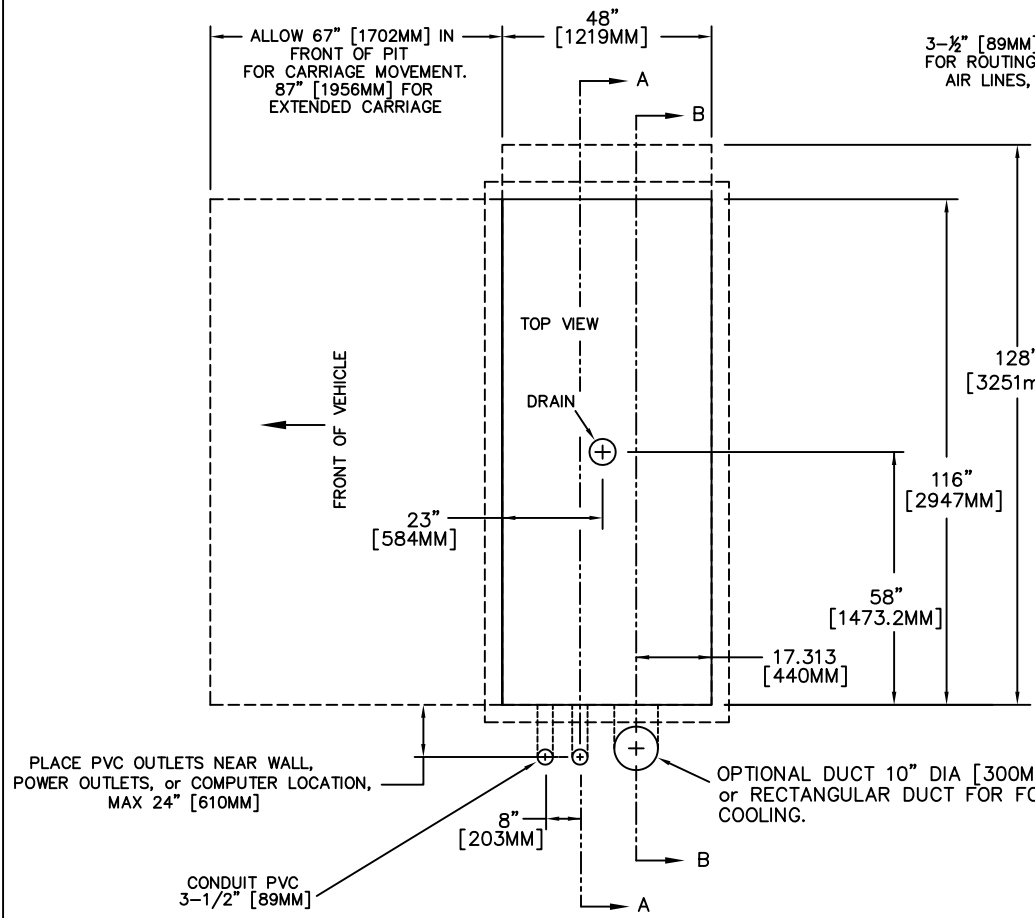
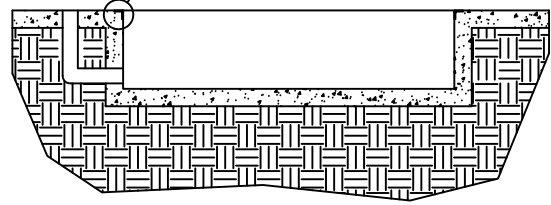
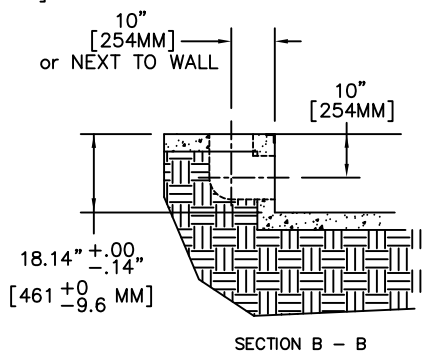
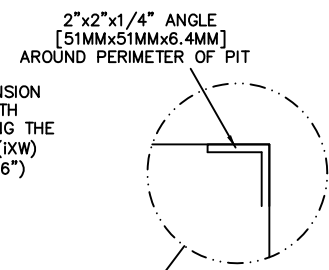
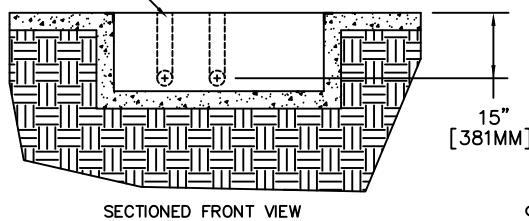


| REVISIONS | | | | |
|-----------|-----|--|----------|----------|
| ECR# | REV | DESCRIPTION | DATE | APPROVED |
| 5723 | 03 | UPDATE VENTILATION NOTE | 01/24/08 | JFE |
| 6356 | 04 | UPDATE PLACEMENT OF OUTLET AND VENTILATION NOTES | 12/01/08 | JFE |
| 6528 | 05 | ADD METRIC TOLERANCE TO 18.38 DIMENSION | 03/09/09 | JFE |
| 11882 | 06 | ADD 128" DIMENSION FOR WIDE IX DRUM MODULE | 12/03/15 | JDM |
| 13346 | 07 | UPDATE DIMENSION FOR PIT DEPTH | 03/10/19 | SA |



3-1/2" [89MM] PVC CONDUIT FOR ROUTING POWER CORDS, AIR LINES, ETC INTO PIT



PLACE PVC OUTLETS NEAR WALL, POWER OUTLETS, or COMPUTER LOCATION, MAX 24" [610MM]

OPTIONAL DUCT 10" DIA [300MM] or RECTANGULAR DUCT FOR FORCED COOLING.

CONDUIT PVC 3-1/2" [89MM]

THE PIT MUST BE PROVIDED WITH EXHAUST VENTILATION AT A RATE OF NOT LESS THAN 40CFM TAKEN FROM A POINT WITHIN 12 in (300 mm) OF THE FLOOR OF THE PIT AT ALL TIMES THAT THE BUILDING IS OCCUPIED OR WHEN VEHICLES ARE PARKED OVER THIS AREA

- NOTES, UNLESS OTHERWISE SPECIFIED**
1. ALL DIMENSIONS ARE IN DECIMAL INCHES.
 2. ALLOW FOR 6" AROUND PERIMETER OF PIT FOR PIT COVERS
 3. CONSULT A LOCAL CONTRACTOR AS TO PIT FLOOR AND WALL CONFIGURATION. PIT MUST SAFELY SUPPORT 3000 POUNDS
 4. CHECK W/LOCAL BUILDING AUTHORITIES BEFORE BEGINNING CONSTRUCTION
 5. IN AREAS WHERE FLOODING IS A CONCERN INSTALL A DRAIN IN PIT BOTTOM

| | |
|---|---|
| MATERIAL: | N/A |
| FINISH: | N/A |
| UNLESS OTHERWISE SPECIFIED: TOLERANCES | |
| DECIMAL X.XX ± 0.01 X.XXX ± 0.005 | FRACTIONAL ± 1/16 ANGULAR ± 5' |
| DO NOT SCALE THIS DRAWING | |
| CREATED: | CTS 07/10/07 |
| LAST UPDATED: | SA 03/10/19 |
| DESIGNED: | KAN |
| APPROVED: | |

DYNOJET RESEARCH

200 ARDEN DRIVE, BELGRADE MT 59714

PIT DIMENSIONS KART/ATV/TRIKE

ALL IDEAS, DESIGNS, ARRANGEMENTS AND PLANS INDICATED OR REPRESENTED BY THIS DRAWING ARE OWNED BY DYNOJET RESEARCH, INC. AND WERE CREATED, EVOLVED AND DEVELOPED FOR USE ON AND IN CONNECTION WITH THE SPECIFIED PROJECT. NONE OF SUCH IDEAS, DESIGNS, ARRANGEMENTS OR PLANS SHALL BE USED BY OR DISCLOSED TO ANY PERSON, FIRM OR CORPORATION FOR ANY PURPOSE WHATSOEVER WITHOUT THE WRITTEN PERMISSION OF DYNOJET RESEARCH, INC..

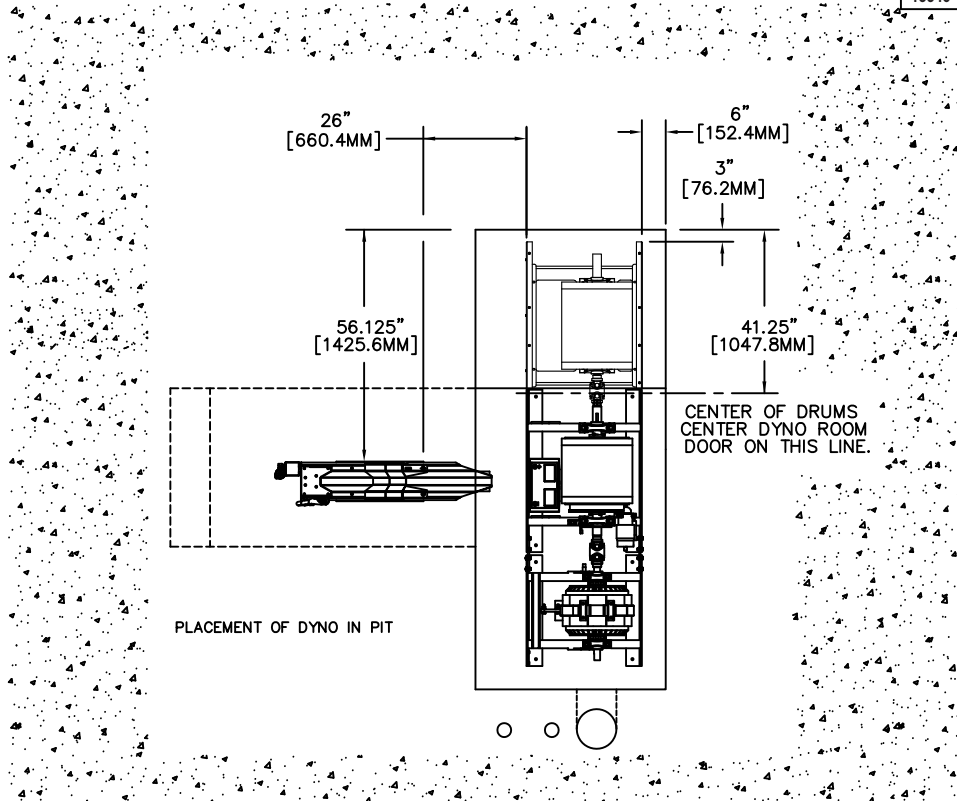
DYNOJET RESEARCH, INC.

| | | |
|------------|----------------------|--------------|
| SIZE B | PART NO. 98229104 | REV 07 |
| SCALE: X:X | RELEASE DATE: | SHEET 1 OF 2 |

NOTES, UNLESS OTHERWISE SPECIFIED

1. ALL DIMENSIONS ARE IN DECIMAL INCHES.

| REVISIONS | | | | |
|-----------|-----|--|----------|----------|
| ECR# | REV | DESCRIPTION | DATE | APPROVED |
| 5723 | 03 | UPDATE VENTILATION NOTE | 01/24/08 | JFE |
| 6356 | 04 | UPDATE PLACEMENT OF OUTLET AND VENTILATION NOTES | 12/01/08 | JFE |
| 6528 | 05 | ADD METRIC TOLERANCE TO 18.38 DIMENSION | 03/09/09 | JFE |
| 11882 | 06 | ADD 128" DIMENSION FOR WIDE IX DRUM MODULE | 12/03/15 | JDM |
| 13346 | 07 | UPDATE DIMENSION FOR PIT DEPTH | 03/10/19 | SA |



DIMENSIONS ARE FOR REFERENCE
REFER TO INSTALL GUIDE
(98200074)

| | | |
|---|-----------------|----------|
| MATERIAL: | N/A | |
| FINISH: | N/A | |
| UNLESS OTHERWISE SPECIFIED: TOLERANCES | | |
| DECIMAL | FRACTIONAL | |
| X.XX ± 0.01 | ± 1/16 | |
| X.XXX ± 0.005 | ANGULAR ± 5° | |
| DO NOT SCALE THIS DRAWING | | |
| CREATED: | CTS | 07/10/07 |
| LAST UPDATED: | SA | 03/10/19 |
| DESIGNED: | KAN | |
| APPROVED: | | |

DYNOJET RESEARCH

200 ARDEN DRIVE, BELGRADE MT 59714

PIT DYNO LOCATION DIMENSIONS KART/ATV/TRIKE

ALL IDEAS, DESIGNS, ARRANGEMENTS AND PLANS INDICATED OR REPRESENTED BY THIS DRAWING ARE OWNED BY DYNOJET RESEARCH, INC. AND WERE CREATED, EVOLVED AND DEVELOPED FOR USE ON AND IN CONNECTION WITH THE SPECIFIED PROJECT. NONE OF SUCH IDEAS, DESIGNS, ARRANGEMENTS OR PLANS SHALL BE USED BY OR DISCLOSED TO ANY PERSON, FIRM OR CORPORATION FOR ANY PURPOSE WHATSOEVER WITHOUT THE WRITTEN PERMISSION OF DYNOJET RESEARCH, INC..

DYNOJET RESEARCH, INC.

| | | |
|--------------|----------------------|---------------|
| SIZE B | PART NO. 98229104 | REV 07 |
| APPROVED: | SCALE: X:X | RELEASE DATE: |
| SHEET 2 OF 2 | | |