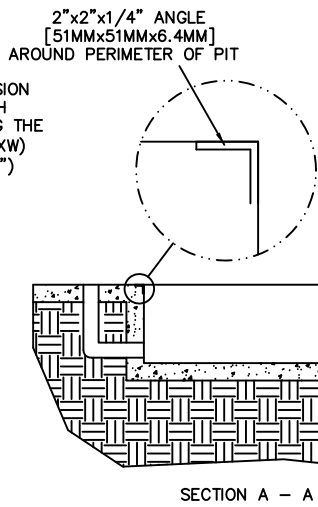
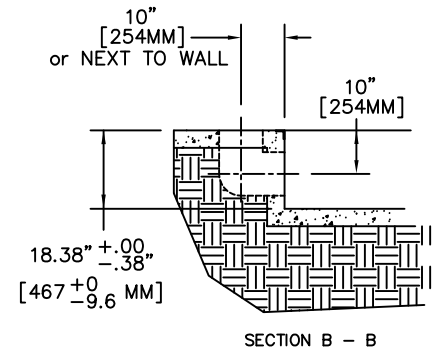
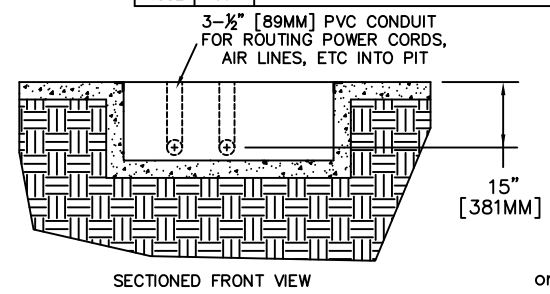
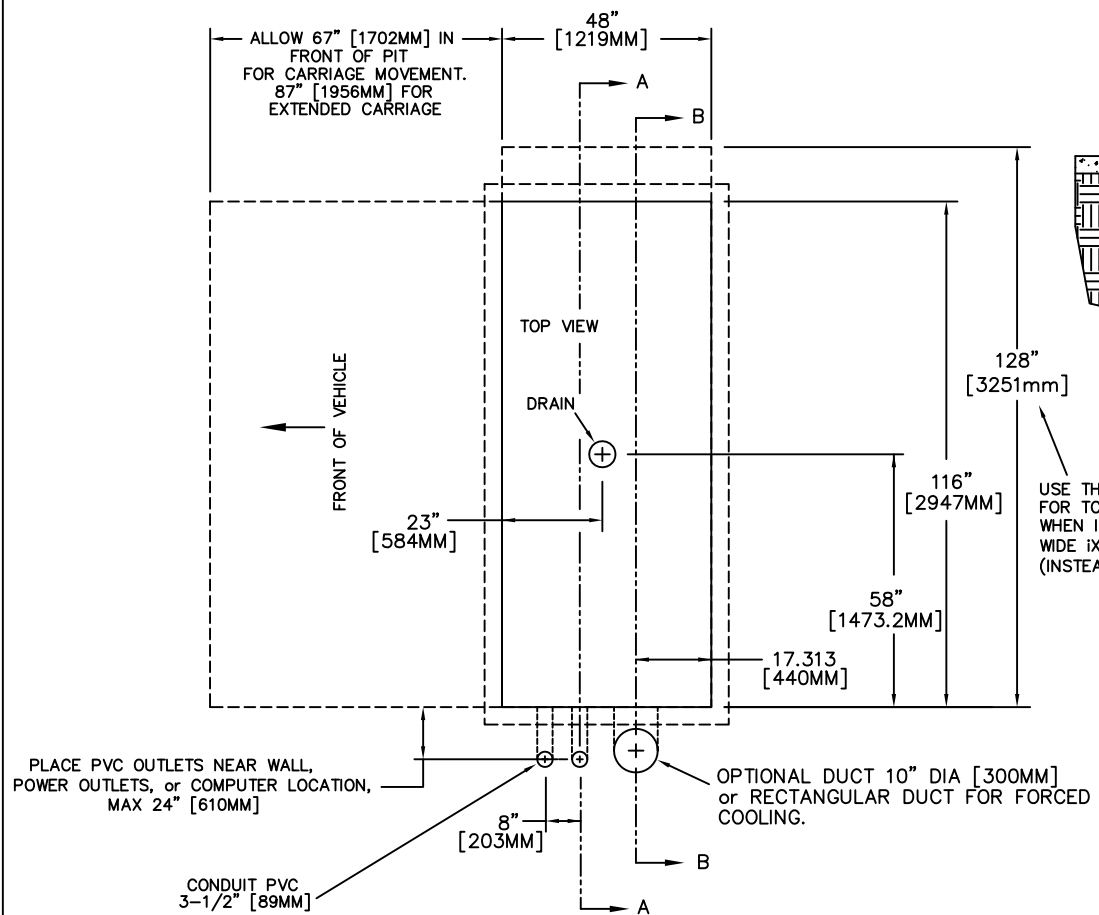


REVISIONS				
ECR#	REV	DESCRIPTION	DATE	APPROVED
5723	03	UPDATE VENTILATION NOTE	01/24/08	JFE
6356	04	UPDATE PLACEMENT OF OUTLET AND VENTILATION NOTES	12/01/08	JFE
6528	05	ADD METRIC TOLERANCE TO 18.38 DIMENSION	03/09/09	JFE
11882	06	ADD 128" DIMENSION FOR WIDE IX DRUM MODULE	12/03/15	JDM



PLACE PVC OUTLETS NEAR WALL, POWER OUTLETS, or COMPUTER LOCATION, MAX 24" [610MM]

CONDUIT PVC 3-1/2" [89MM]

OPTIONAL DUCT 10" DIA [300MM] or RECTANGULAR DUCT FOR FORCED COOLING.

THE PIT MUST BE PROVIDED WITH EXHAUST VENTILATION AT A RATE OF NOT LESS THAN 40CFM TAKEN FROM A POINT WITHIN 12 in (300 mm) OF THE FLOOR OF THE PIT AT ALL TIMES THAT THE BUILDING IS OCCUPIED OR WHEN VEHICLES ARE PARKED OVER THIS AREA

- NOTES, UNLESS OTHERWISE SPECIFIED**
1. ALL DIMENSIONS ARE IN DECIMAL INCHES.
 2. ALLOW FOR 6" AROUND PERIMETER OF PIT FOR PIT COVERS
 3. CONSULT A LOCAL CONTRACTOR AS TO PIT FLOOR AND WALL CONFIGURATION. PIT MUST SAFELY SUPPORT 3000 POUNDS
 4. CHECK W/LOCAL BUILDING AUTHORITIES BEFORE BEGINNING CONSTRUCTION
 5. IN AREAS WHERE FLOODING IS A CONCERN INSTALL A DRAIN IN PIT BOTTOM

MATERIAL:	N/A
FINISH:	N/A
UNLESS OTHERWISE SPECIFIED: TOLERANCES	
DECIMAL	FRACTIONAL
X.XX ± 0.01	± 1/16
X.XXX ± 0.005	ANGULAR ± 5°
DO NOT SCALE THIS DRAWING	
CREATED:	CTS 07/10/07
LAST UPDATED:	JDM 12/03/15
DESIGNED:	KAN
APPROVED:	

DYNOJET RESEARCH
200 ARDEN DRIVE, BELGRADE MT 59714

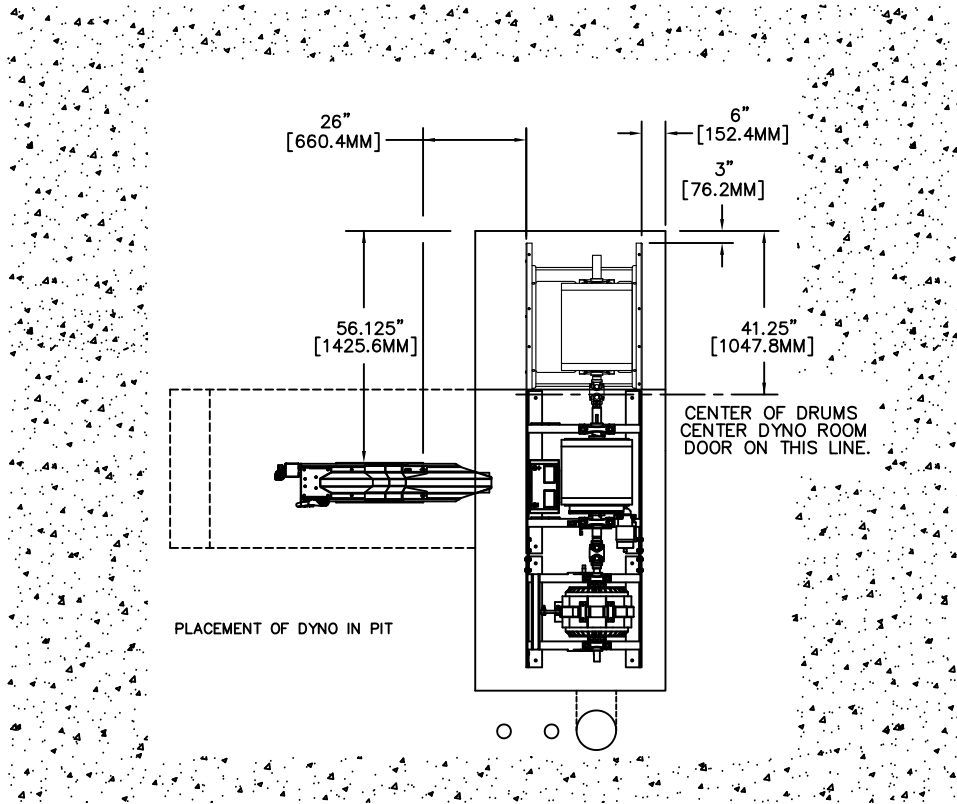
PIT DIMENSIONS
KART/ATV/TRIKE

SIZE	PART NO.	REV
B	98229104	06
SCALE: X:X	RELEASE DATE:	SHEET 1 OF 2

NOTES, UNLESS OTHERWISE SPECIFIED

1. ALL DIMENSIONS ARE IN DECIMAL INCHES.

REVISIONS				
ECR#	REV	DESCRIPTION	DATE	APPROVED
5723	03	UPDATE VENTILATION NOTE	01/24/08	JFE
6356	04	UPDATE PLACEMENT OF OUTLET AND VENTILATION NOTES	12/01/08	JFE
6528	05	ADD METRIC TOLERANCE TO 18.38 DIMENSION	03/09/09	JFE
11882	06	ADD 128" DIMENSION FOR WIDE IX DRUM MODULE	12/03/15	JDM



DIMENSIONS ARE FOR REFERENCE
REFER TO INSTALL GUIDE
(98200018)

MATERIAL:	N/A
FINISH:	N/A
UNLESS OTHERWISE SPECIFIED: TOLERANCES	
DECIMAL	FRACTIONAL
X.XX ± 0.01	± 1/16
X.XXX ± 0.005	ANGULAR ± 5'
DO NOT SCALE THIS DRAWING	
CREATED:	CTS 07/10/07
LAST UPDATED:	JDM 12/03/15
DESIGNED:	KAN
APPROVED:	

DYNOJET RESEARCH
200 ARDEN DRIVE, BELGRADE MT 59714

PIT DYNO LOCATION DIMENSIONS
KART/ATV/TRIKE

ALL IDEAS, DESIGNS, ARRANGEMENTS AND PLANS INDICATED OR REPRESENTED BY THIS DRAWING ARE OWNED BY DYNOJET RESEARCH, INC. AND WERE CREATED, EVOLVED AND DEVELOPED FOR USE ON AND IN CONNECTION WITH THE SPECIFIED PROJECT. NONE OF SUCH IDEAS, DESIGNS, ARRANGEMENTS OR PLANS SHALL BE USED BY OR DISCLOSED TO ANY PERSON, FIRM OR CORPORATION FOR ANY PURPOSE WHATSOEVER WITHOUT THE WRITTEN PERMISSION OF DYNOJET RESEARCH, INC.

DYNOJET RESEARCH, INC.

SIZE	PART NO.	REV
B	98229104	06
SCALE: X:X	RELEASE DATE:	SHEET 2 OF 2