

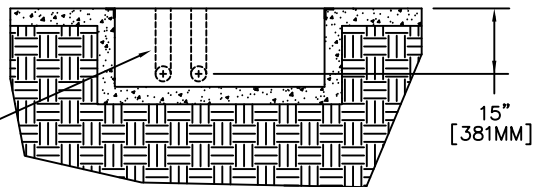
PLACE PVC OUTLETS NEAR WALL, POWER OUTLETS, or COMPUTER LOCATION MAX 24" [610MM]

CONDUIT PVC 3-1/2" [89MM]

8" [203MM]

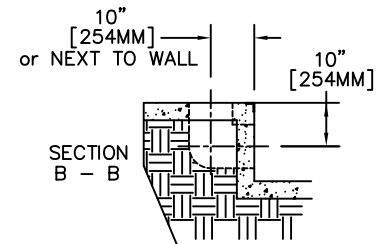
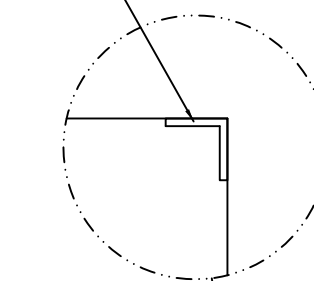
OPTIONAL DUCT 10" DIA [300MM] or RECTANGULAR DUCT FOR FORCED COOLING.

3-1/2" [89MM] PVC CONDUIT FOR ROUTING POWER CORDS, AIR LINES, ETC INTO PIT

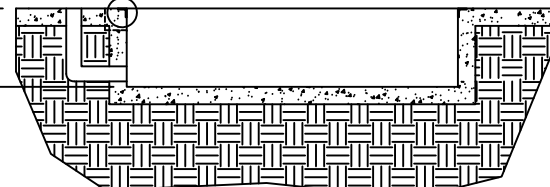


SECTIONED FRONT VIEW

2"x2"x1/4" ANGLE [51MMx51MMx6.4MM] AROUND PERIMETER OF PIT



18.14" +.00 / -.14" [461 +0 / -9.6 MM]



SECTION A - A

REVISIONS				
ECR#	REV	DESCRIPTION	DATE	APPROVED
1694	03	ADDITION OF COOLING DUCT TO GO ON R. SIDE & TOL FOR DEPTH	10/10/03	JFE
1764	04	CHANGE DEPTH FROM 18" TO 18-3/8"	11/18/03	JFE
1828	05	UPDATE DIMENSIONS FOR DUCTING	01/21/04	JFE
5723	06	UPDATE OUTLET & VENTILATION NOTES	01/24/08	JFE
6356	07	UPDATE PLACEMENT OF OUTLET & VENTILATION NOTES	12/01/08	JFE
6528	08	ADD METRIC TOLERANCE TO 18.38 DIMENSION	03/09/09	JFE
10301	09	ADD DIMENSION AND NOTE FOR CENTER OF DRUM	09/19/13	JFE
13346	10	UPDATE DIMENSION FOR PIT DEPTH	03/10/19	SA

NOTES, UNLESS OTHERWISE SPECIFIED

1. ALL DIMENSIONS ARE IN DECIMAL INCHES.
2. ALLOW FOR 6" AROUND PERIMETER OF PIT FOR PIT COVERS
3. CONSULT A LOCAL CONTRACTOR AS TO PIT FLOOR AND WALL CONFIGURATION. PIT MUST SAFELY SUPPORT 3000 POUNDS
4. CHECK W/LOCAL BUILDING AUTHORITIES BEFORE BEGINNING CONSTRUCTION
5. IN AREAS WHERE FLOODING IS A CONCERN INSTALL A DRAIN IN PIT BOTTOM

THE PIT MUST BE PROVIDED WITH EXHAUST VENTILATION AT A RATE OF NOT LESS THAN 26CFM TAKEN FROM A POINT WITHIN 12 in (300 mm) OF THE FLOOR OF THE PIT AT ALL TIMES THAT THE BUILDING IS OCCUPIED OR WHEN VEHICLES ARE PARKED OVER THIS AREA

MATERIAL:	N/A	
FINISH:	N/A	
UNLESS OTHERWISE SPECIFIED: TOLERANCES		
DECIMAL	FRACTIONAL	
X.XX ± 0.01	± 1/16	
X.XXX ± 0.005	ANGULAR	± 5'
DO NOT SCALE THIS DRAWING		
CREATED:	CTS	02/12/03
LAST UPDATED:	SA	03/10/19
DESIGNED:	JFE	
APPROVED:		

DYNOJET RESEARCH

200 ARDEN DRIVE, BELGRADE MT 59714

PIT DIMENSIONS
250i RETARDER DYNAMOMETER

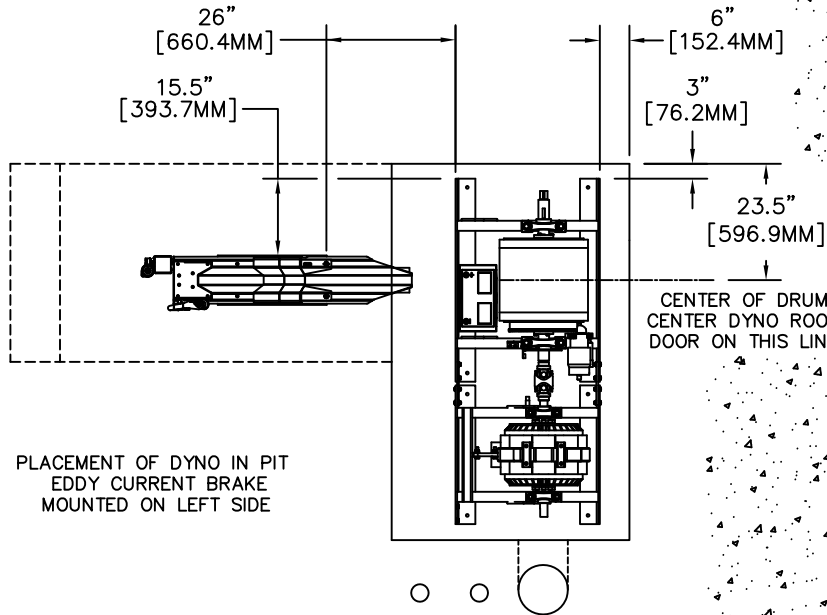
ALL IDEAS, DESIGNS, ARRANGEMENTS AND PLANS INDICATED OR REPRESENTED BY THIS DRAWING ARE OWNED BY DYNOJET RESEARCH, INC. AND WERE CREATED, EVOLVED AND DEVELOPED FOR USE ON AND IN CONNECTION WITH THE SPECIFIED PROJECT. NONE OF SUCH IDEAS, DESIGNS, ARRANGEMENTS OR PLANS SHALL BE USED BY OR DISCLOSED TO ANY PERSON, FIRM OR CORPORATION FOR ANY PURPOSE WHATSOEVER WITHOUT THE WRITTEN PERMISSION OF DYNOJET RESEARCH, INC..

DYNOJET RESEARCH, INC.

SIZE B	PART NO. 98229102	REV 10
SCALE: X:X	RELEASE DATE:	SHEET 1 OF 2

NOTES, UNLESS OTHERWISE SPECIFIED

1. ALL DIMENSIONS ARE IN DECIMAL INCHES.



DIMENSIONS ARE FOR REFERENCE
REFER TO INSTALL GUIDE
(98200053)

REVISIONS				
ECR#	REV	DESCRIPTION	DATE	APPROVED
1694	03	NO CHANGE OR UPDATE THIS PAGE	10/10/03	JFE
1764	04	NO CHANGE OR UPDATE THIS PAGE	11/18/03	JFE
1825	05	SHOW 10" DIA OR RECTANGLE DUCT	01/21/04	JFE
5723	06	NO CHANGE OR UPDATE THIS PAGE	01/24/08	JFE
6356	07	UPDATE PLACEMENT OF OUTLET & VENTILATION NOTES	12/01/08	JFE
6528	08	ADD METRIC TOLERANCE TO 18.38 DIMENSION	03/09/09	JFE
10301	09	ADD DIMENSION AND NOTE FOR CENTER OF DRUM	09/19/13	JFE
13346	10	UPDATE DIMENSION FOR PIT DEPTH	03/10/19	SA

MATERIAL:	N/A	
FINISH:	N/A	
UNLESS OTHERWISE SPECIFIED: TOLERANCES		
DECIMAL	FRACTIONAL	FRACTIONAL
X.XX ± 0.01		± 1/16
X.XXX ± 0.005		ANGULAR
		± 5°
DO NOT SCALE THIS DRAWING		
CREATED:	CTS	02/12/03
LAST UPDATED:	SA	03/10/19
DESIGNED:	JFE	
APPROVED:		

DYNOJET RESEARCH

200 ARDEN DRIVE, BELGRADE MT 59714

PIT DYNO LOCATION DIMENSIONS 250i DYNAMOMETER

ALL IDEAS, DESIGNS, ARRANGEMENTS AND PLANS INDICATED OR REPRESENTED BY THIS DRAWING ARE OWNED BY DYNOJET RESEARCH, INC. AND WERE CREATED, EVOLVED AND DEVELOPED FOR USE ON AND IN CONNECTION WITH THE SPECIFIED PROJECT. NONE OF SUCH IDEAS, DESIGNS, ARRANGEMENTS OR PLANS SHALL BE USED BY OR DISCLOSED TO ANY PERSON, FIRM OR CORPORATION FOR ANY PURPOSE WHATSOEVER WITHOUT THE WRITTEN PERMISSION OF DYNOJET RESEARCH, INC..

DYNOJET RESEARCH, INC.

SIZE	PART NO.	REV
B	98229102	10
SCALE: X:X	RELEASE DATE:	SHEET 2 OF 2