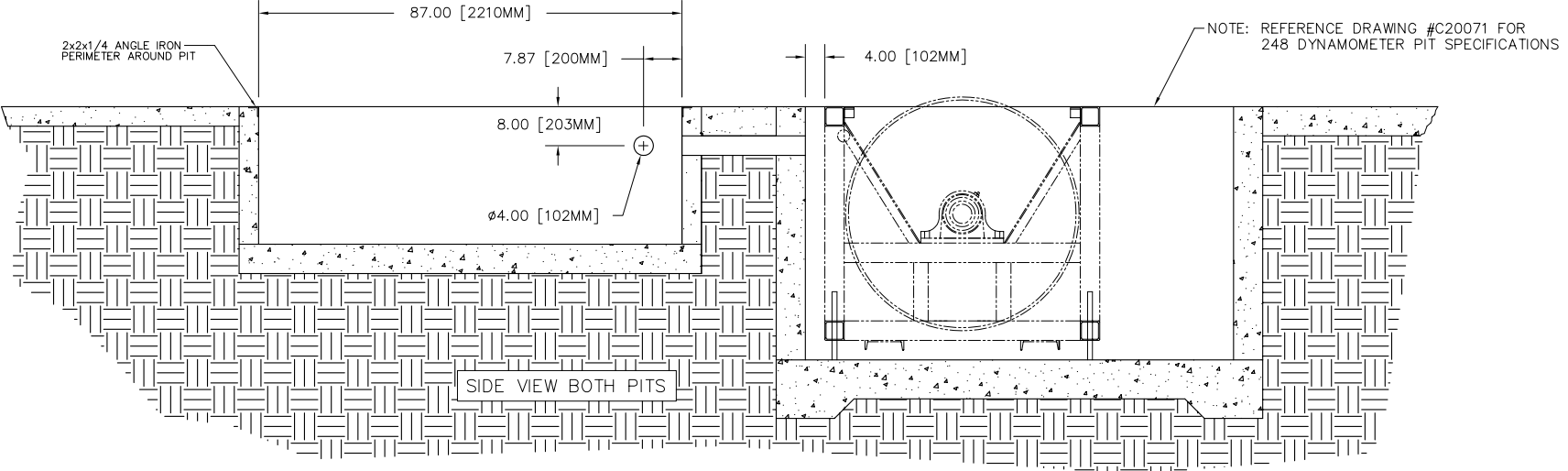


REVISIONS				
ECR#	REV	DESCRIPTION	DATE	APPROVED
1258	05	ADDITION OF 4" DIA OPTIONAL PIPE	04/22/02	JFE



SECTION "A-A"

MATERIAL:	N/A
FINISH:	N/A
UNLESS OTHERWISE SPECIFIED: TOLERANCES	
DECIMAL	FRACTIONAL
X.XX ± 0.10	± 1/16
X.XXX ± 0.060	ANGULAR ± 5°
DO NOT SCALE THIS DRAWING	
CREATED:	CTS 04/22/02
LAST UPDATE:	CTS 04/22/02
DESIGNED:	DWK
APPROVED:	

DYNOJET RESEARCH

200 ARDEN DRIVE, BELGRADE MT 59714

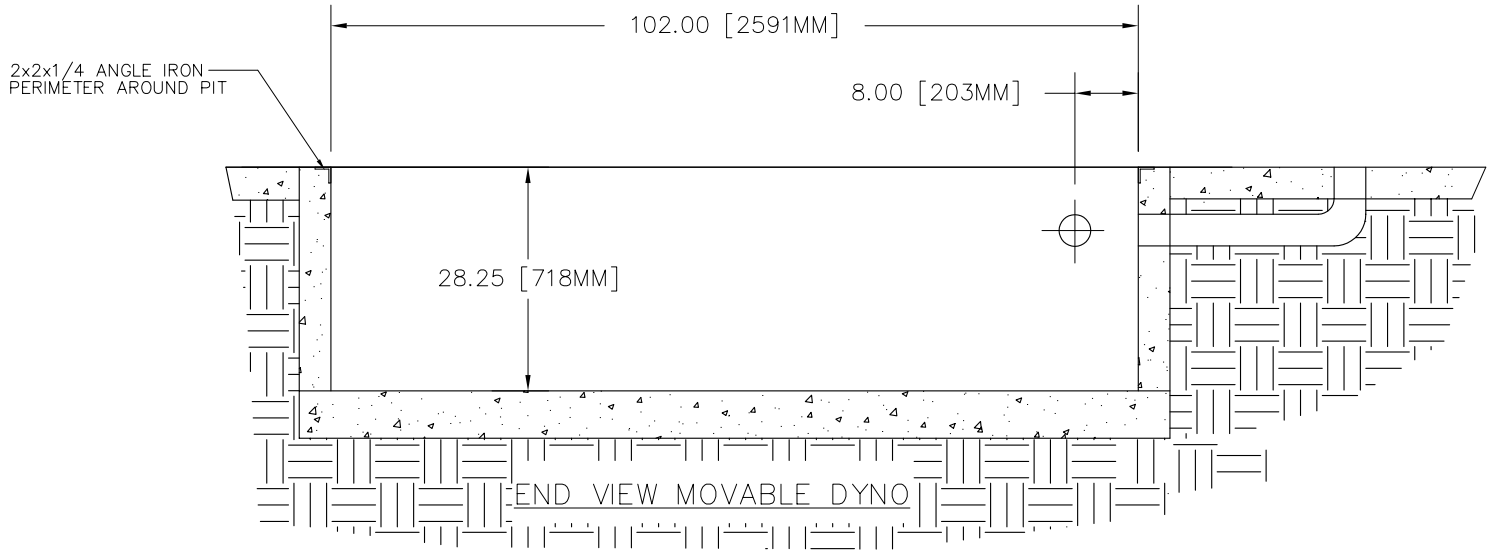
SECTION A-A 224 - 4WD/248 DYNAMOMETER PIT DIMENSIONS

ALL IDEAS, DESIGNS, ARRANGEMENTS AND PLANS INDICATED OR REPRESENTED BY THIS DRAWING ARE OWNED BY DYNOJET RESEARCH INC. AND WERE CREATED, EVOLVED AND DEVELOPED FOR USE ON AND IN CONNECTION WITH THE SPECIFIED PROJECT. NONE SUCH IDEAS, DESIGNS, ARRANGEMENTS OR PLANS SHALL BE USED BY OR DISCLOSED TO ANY PERSON, FIRM, OR CORPORATION FOR ANY PURPOSE WHATSOEVER WITHOUT THE WRITTEN PERMISSION OF DYNOJET RESEARCH, INC.

SIZE	PART NO.
A	98219106

REV	05	
SCALE: X:X	RELEASE DATE:	SHEET 1 OF 4

REVISIONS				
ECR#	REV	DESCRIPTION	DATE	APPROVED
1258	05	ADDITION OF 4" DIA OPTIONAL PIPE	04/22/02	JFE



SECTION "B-B"

MATERIAL:	N/A	
FINISH:	N/A	
UNLESS OTHERWISE SPECIFIED:	TOLERANCES	
DECIMAL	FRACTIONAL	
X.XX ± 0.10	± 1/16	
X.XXX ± 0.060	ANGULAR	± 5°
DO NOT SCALE THIS DRAWING		
CREATED:	CTS	04/22/02
LAST UPDATE:	CTS	04/22/02
DESIGNED:	DWK	
APPROVED:		

DYNOJET RESEARCH

200 ARDEN DRIVE, BELGRADE MT 59714

SECTION B-B
224 - 4WD/248 DYNAMOMETER
PIT DIMENSIONS

ALL IDEAS, DESIGNS, ARRANGEMENTS AND PLANS INDICATED OR REPRESENTED BY THIS DRAWING ARE OWNED BY DYNOJET RESEARCH INC. AND WERE CREATED, EVOLVED AND DEVELOPED FOR USE ON AND IN CONNECTION WITH THE SPECIFIED PROJECT. NONE SUCH IDEAS, DESIGNS, ARRANGEMENTS OR PLANS SHALL BE USED BY OR DISCLOSED TO ANY PERSON, FIRM, OR CORPORATION FOR ANY PURPOSE WHATSOEVER WITHOUT THE WRITTEN PERMISSION OF DYNOJET RESEARCH, INC..

DYNOJET RESEARCH, INC.

SIZE	PART NO.	REV
A	98219106	05
SCALE: X:X	RELEASE DATE:	SHEET 2 OF 4

NOTES:

1. ALL DIMENSIONS ARE NOMINAL TO FACE OF MASONRY OR TO FACE OF METAL STUD.
2. ALL WORK SHALL BE IN ACCORDANCE WITH LOCAL AND STATE AND OR ANY OTHER GOVERNING CODE REQUIREMENTS.
3. VERIFY ALL UNDERGROUND UTILITIES BEFORE EXCAVATION.

STRUCTURAL NOTES

1. CODES AND STANDARDS
 THE PROJECT WAS DESIGNED IN ACCORDANCE WITH THE STANDARD BUILDING CODE 1991 EDITION.
2. FOUNDATION
 ALL SITE PREPARATION AND EXCAVATION WORK IS TO BE PERFORMED IN STRICT ACCORDANCE WITH THE RECOMMENDATIONS ON SOILS AND FOUNDATIONS INVESTIGATION PREPARED BY AN APPROVED TESTING LABORATORY PRIOR TO FOUNDATION WORK.
 BOTTOM OF FOOTINGS TO BEAR ON SOIL CAPABLE OF SAFELY SUPPORTING 2500 PSF.
 SOILS SUPPORTING ALL FOOTINGS MUST BE INSPECTED AND APPROVED BY A REGISTERED SOILS ENGINEER BEFORE COMMENCING WORK. APPROVAL IN WRITING MUST INDICATE THE SOIL IS ADEQUATE TO SAFELY SUSTAIN SPECIFIED SOIL BEARING PRESSURE.

STRUCTURAL NOTES:

3. CONCRETE
 ALL CONCRETE SHALL BE READY MIX, HAVE A MINIMUM COMPRESSIVE STRENGTH OF 2800 PSI @ 28 DAYS AND HAVE A MINIMUM OF 517 LBS. OF CEMENT PER CUBIC YARD.
 ALL THE CONCRETE WORK SHALL COMPLY WITH THE REQUIREMENTS OF THE ACI BUILDING CODE (ACI 318/LATEST EDITION), THE ACI DETAILING MANUAL (ACI 315/LATEST EDITION), AND THE SPECIFICATIONS FOR STRUCTURAL CONCRETE FOR BUILDINGS (ACI 301/LATEST EDITION)
 ALL REINFORCING STEEL SHALL BE MANUFACTURED FROM HIGH STRENGTH BILLET STEEL CONFORMING TO ASTM DESIGNATION A 615 GRADE 60. SPLICES TO LAP MIN 25". CONCRETE COVER MIN. 3" AGAINST EARTH @ SLAB
 THE PIT WALLS CAN BE CONSTRUCTED FROM MASONRY BRICK AS ALWAYS CONSULT YOUR CONTRACTOR TO ENSURE THE WALLS WILL STILL MEET THE CODES AND STRUCTURAL STANDARDS
4. MASONRY
 MASONRY UNITS SHALL BE ASTM C 90 GRADE N. ALL MORTAR SHALL BE TYPE S (OR TYPE M) IN ACCORDANCE WITH ASTM SPECIFICATION C270.
 PROVIDE HOT DIPPED GALVANIZED TRUSS TYPE HORIZONTAL REINFORCEMENT (MIN 9 GA.) AT 16" ON CENTER VERTICAL IN ALL MASONRY WALLS. PROVIDE DOVE TAIL SLOT ANCHORS AT CONCRETE COLUMNS.

REVISIONS				
ECR#	REV	DESCRIPTION	DATE	APPROVED
1258	05	ADDITION OF A 4" DIA OPTIONAL PIPE	04/22/02	JFE

MATERIAL:		N/A
FINISH:		N/A
UNLESS OTHERWISE SPECIFIED: TOLERANCES		
DECIMAL	FRACTIONAL	
X.XX ± 0.10	± 1/16	
X.XXX ± 0.060	ANGULAR	
	± 5'	
DO NOT SCALE THIS DRAWING		
CREATED:	CTS	04/22/02
LAST UPDATE:	CTS	04/22/02
DESIGNED:	DWK	
APPROVED:		

DYNOJET RESEARCH

200 ARDEN DRIVE, BELGRADE MT 59714

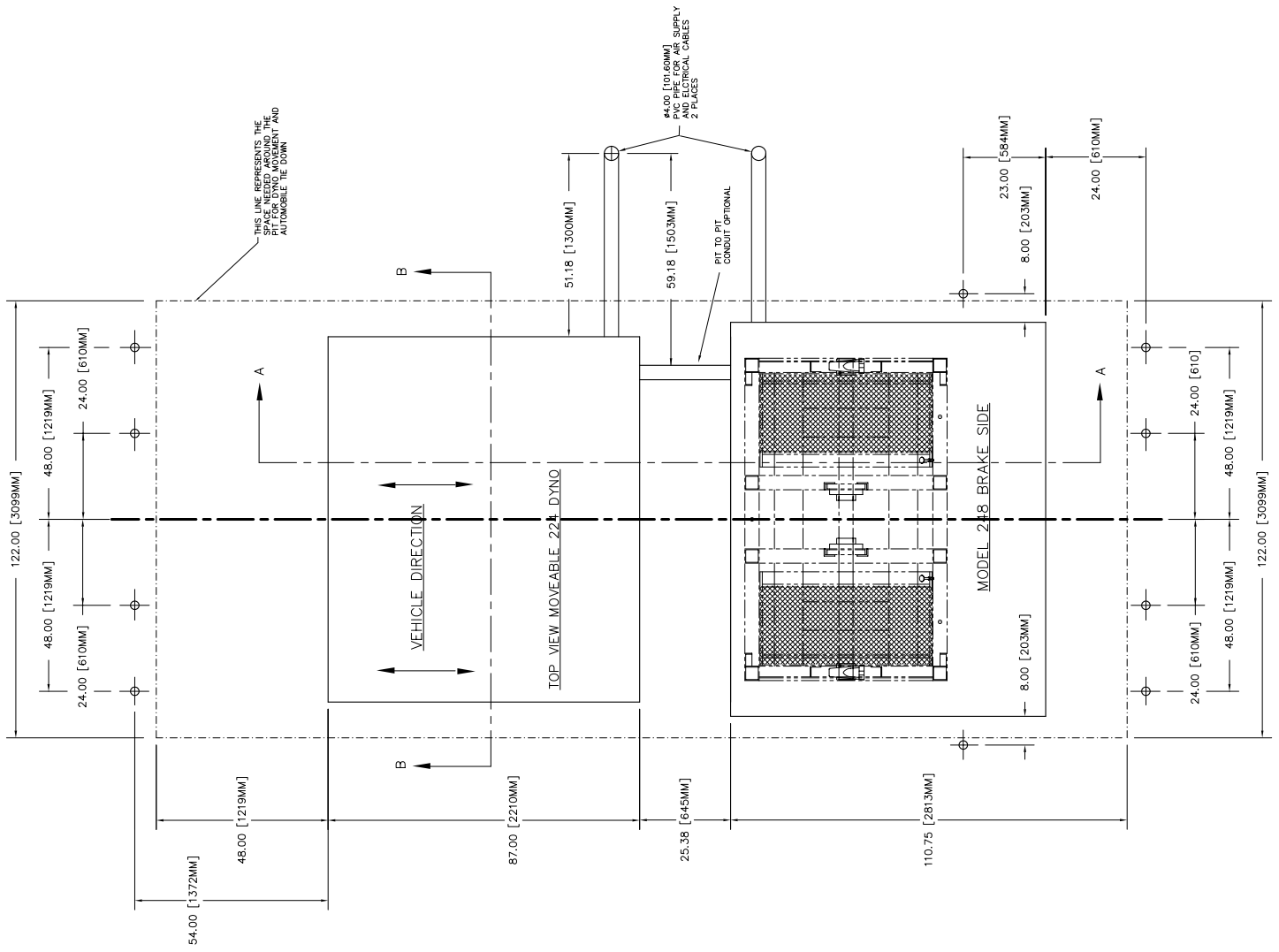
NOTES
 224 - 4WD/248 DYNAMOMETER
 PIT DIMENSIONS

ALL IDEAS, DESIGNS, ARRANGEMENTS AND PLANS INDICATED OR REPRESENTED BY THIS DRAWING ARE OWNED BY DYNOJET RESEARCH INC. AND WERE CREATED, EVOLVED AND DEVELOPED FOR USE ON AND IN CONNECTION WITH THE SPECIFIED PROJECT. NONE SUCH IDEAS, DESIGNS, ARRANGEMENTS OR PLANS SHALL BE USED BY OR DISCLOSED TO ANY PERSON, FIRM, OR CORPORATION FOR ANY PURPOSE WHATSOEVER WITHOUT THE WRITTEN PERMISSION OF DYNOJET RESEARCH, INC.

DYNOJET RESEARCH, INC.

SIZE	PART NO.	REV
A	98219106	05
SCALE: X:X	RELEASE DATE:	SHEET 3 OF 4

REVISIONS				
ECR#	REV	DESCRIPTION	DATE	APPROVED
1258	05	ADDITION OF 4" DIA OPTIONAL PIPE	04/22/02	JFE



MATERIAL:	N/A
FINISH:	N/A
UNLESS OTHERWISE SPECIFIED: TOLERANCES	
DECIMAL	FRACTIONAL
X.XX ± 0.10	± 1/16
X.XXX ± 0.060	ANGULAR ± 5°
DO NOT SCALE THIS DRAWING	
CREATED:	CTS 04/22/02
LAST UPDATE:	CTS 04/22/02
DESIGNED:	DWK
APPROVED:	

DYNOJET RESEARCH
200 ARDEN DRIVE, BELGRADE MT 59714

DIMENSIONS
224 - 4WD/248 DYNAMOMETER
PIT DIMENSIONS

SIZE	PART NO.	REV
A	98219106	05

SCALE: X:X RELEASE DATE: SHEET 4 OF 4

ALL IDEAS, DESIGNS, ARRANGEMENTS AND PLANS INDICATED OR REPRESENTED BY THIS DRAWING ARE OWNED BY DYNOJET RESEARCH INC. AND WERE CREATED, EVOLVED AND DEVELOPED FOR USE ON AND IN CONNECTION WITH THE SPECIFIED PROJECT. NONE SUCH IDEAS, DESIGNS, ARRANGEMENTS OR PLANS SHALL BE USED BY OR DISCLOSED TO ANY PERSON, FIRM, OR CORPORATION FOR ANY PURPOSE WHATSOEVER WITHOUT THE WRITTEN PERMISSION OF DYNOJET RESEARCH, INC.

DYNOJET RESEARCH, INC.